

Quick start installation and setup



1 Initial condition of the wardrobe



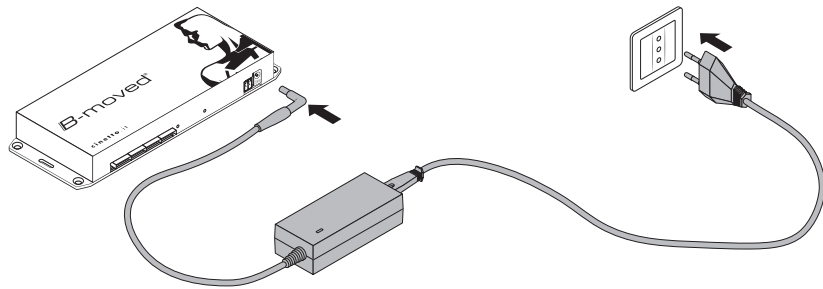
Do not plug the control unit to electricity before connecting all the engines (see connections at pages 4-5-6-7).

Connect all the electric motors of the transmission bars to the control unit according to the wardrobe configuration.



After connecting all the electric motors to the control unit close manually all the doors.

2 Control unit power supply

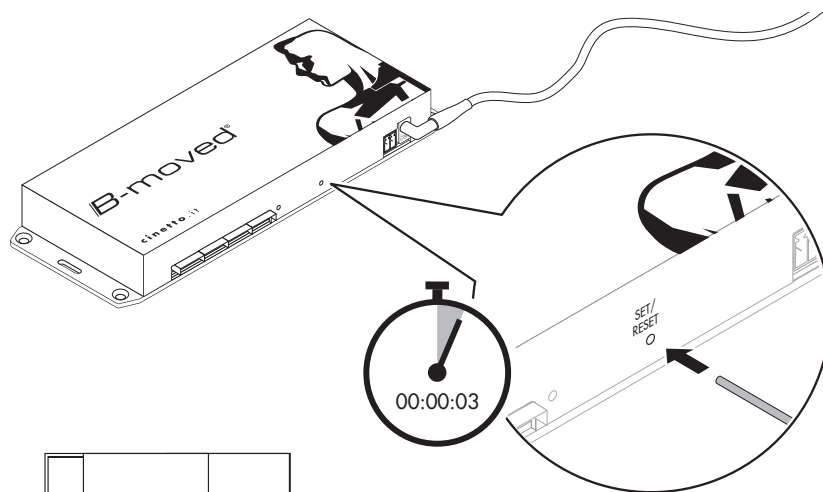


After connecting all the electric motors to the control unit and after closing manually all the doors is possible to connect the control unit to the power supply.




After connecting to the power supply, wait at least 10 seconds, to allow to the control unit to check the wardrobe configuration.


3 Self-learning cycle

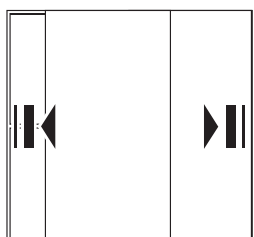


Start the self-learning cycle to make the automatic set-up of the run of the doors pressing at least 3 seconds the "SET / RESET" button on the power unit. All the doors, one by one, starting from the first left door on the wardrobe, will move at reduced speed until their final stoppers.


This operation, until all the doors record their run, may take some minutes.

 During the self-learning cycle do not stop or put obstacles towards the doors and keep the door's run free.

 If the position of the final stoppers is modified, please repeat the self-learning cycle again.





 During the self-learning cycle the pairing with the remote control is not working.

 If the self-learning cycle is not working, because of lack of electricity or for the presence of obstacles disconnect from the power supply, close manually the doors and start the self-learning cycle again.

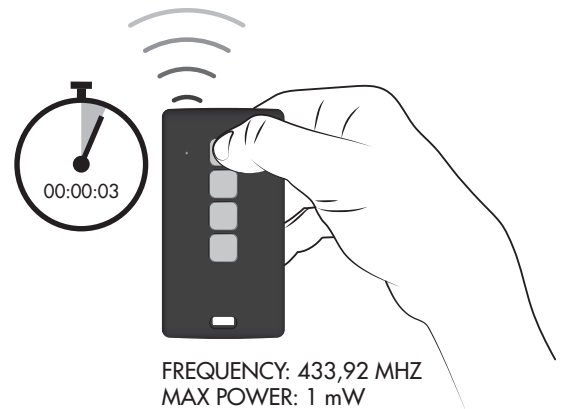
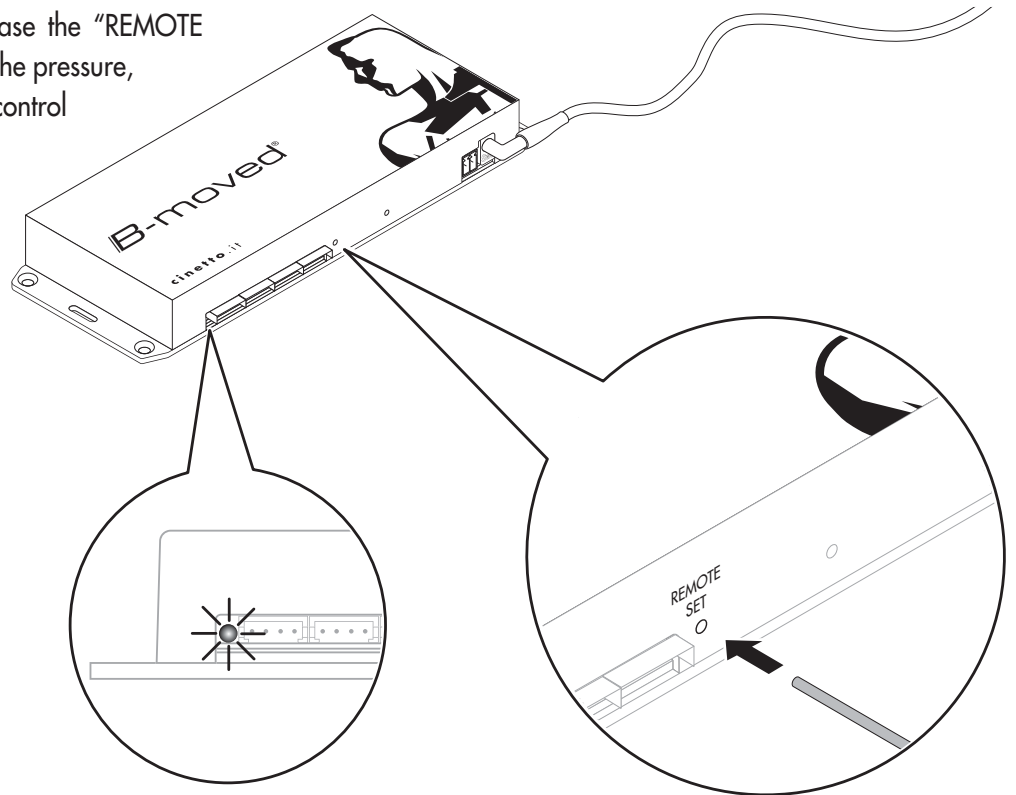
4 Pairing of the remote control

To start this function press and release the "REMOTE SET" button on the power unit. After the pressure, a red LED will start blinking on the control unit. During the blinking press for at least 3 seconds one of the buttons on the remote control.

 Using more control units with a single remote control is allowed.

 Using more remote controls with a single control unit is allowed.

Do not pair the remote control to the power unit during the self-learning cycle.



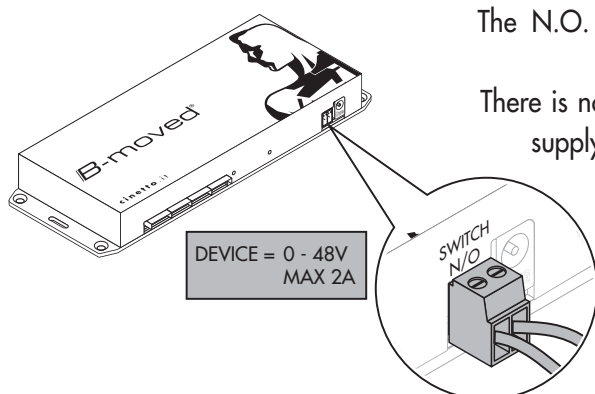
5 Wiring of the switch on the control unit

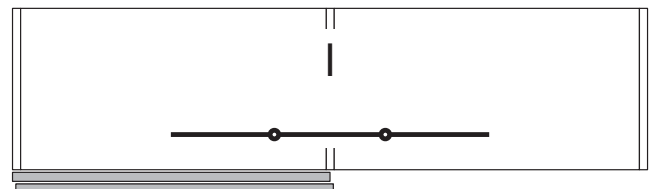
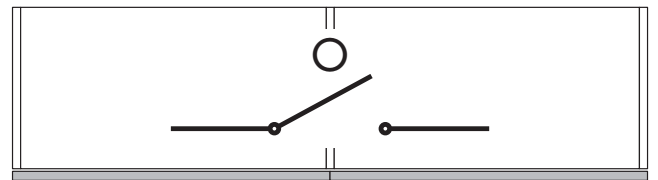
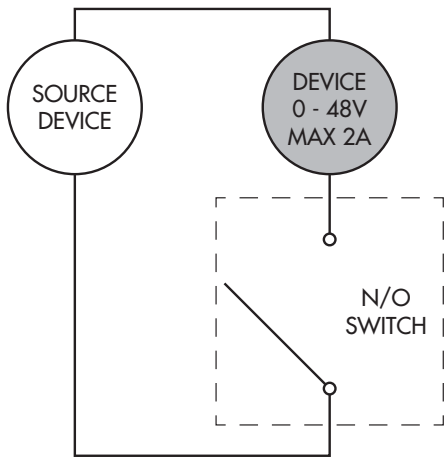
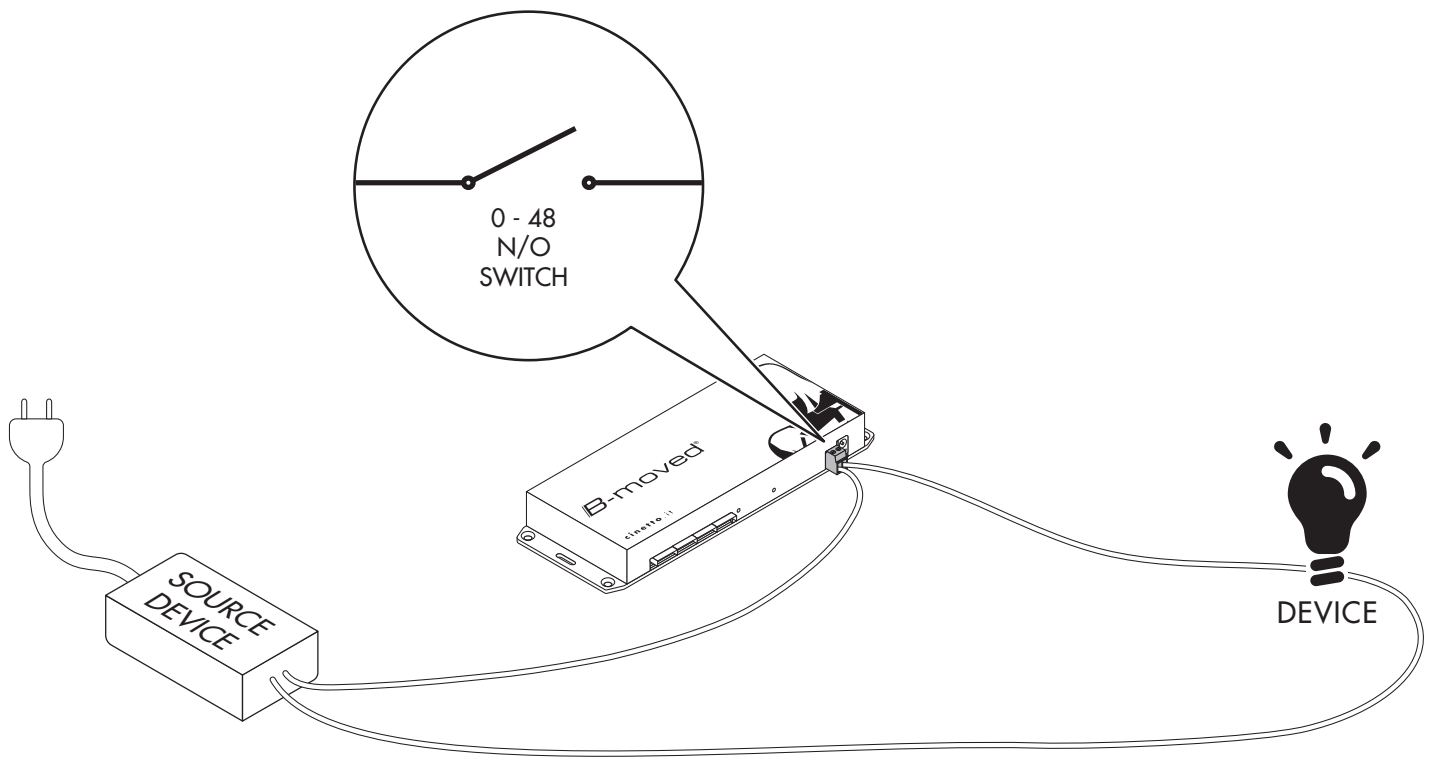
The N.O. switch is a normally-opened electric contact, managed by the control unit.

There is no electric tension on the terminals of the switch. The switch isn't a voltage supply.

The switch can manage devices with nominal tension between 0 and 48V and a maximum electric current of 2A.

The wiring between the switch and the devices must be performed by specialized personnel according to the following scheme.





6 General check of the system

Check that the movement of the doors work properly.

Check the safety system against accidental crush, putting an obstacle between the door while closing and the side of the furniture.

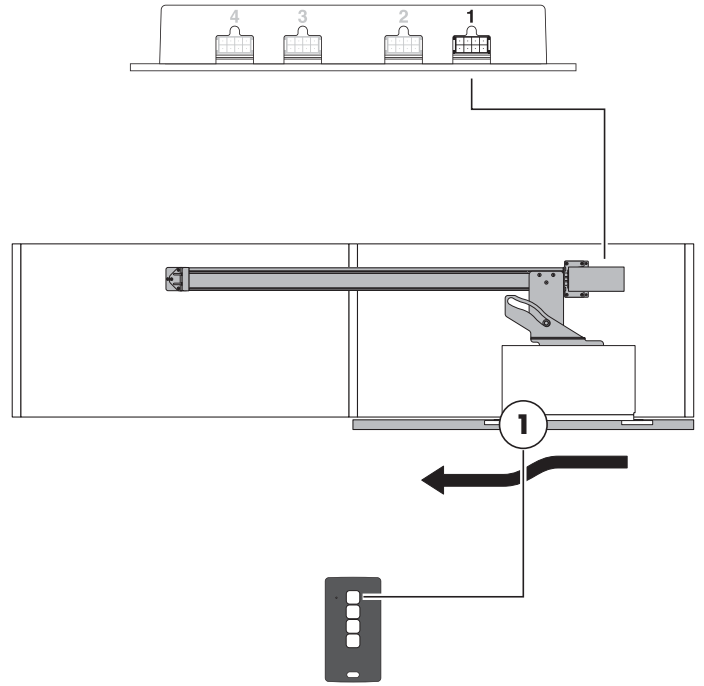
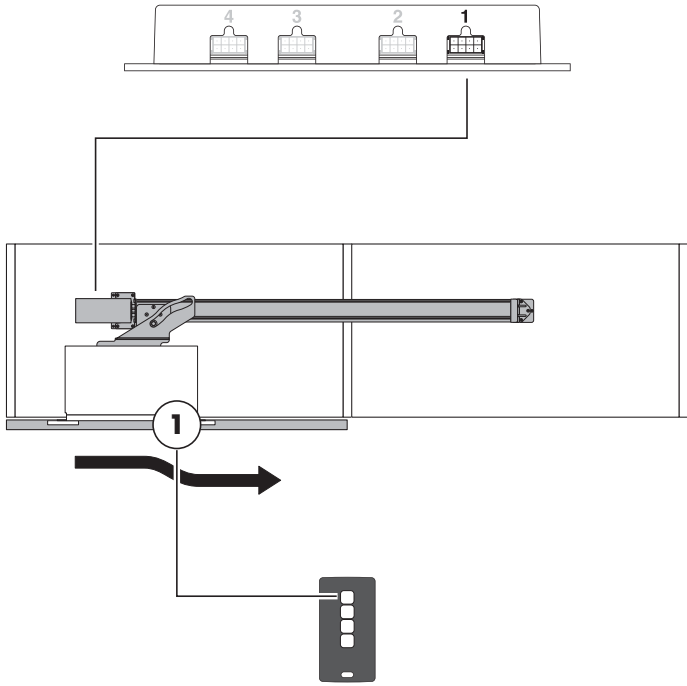
Make this check to prevent danger or damage determined by a wrong operation of the system.



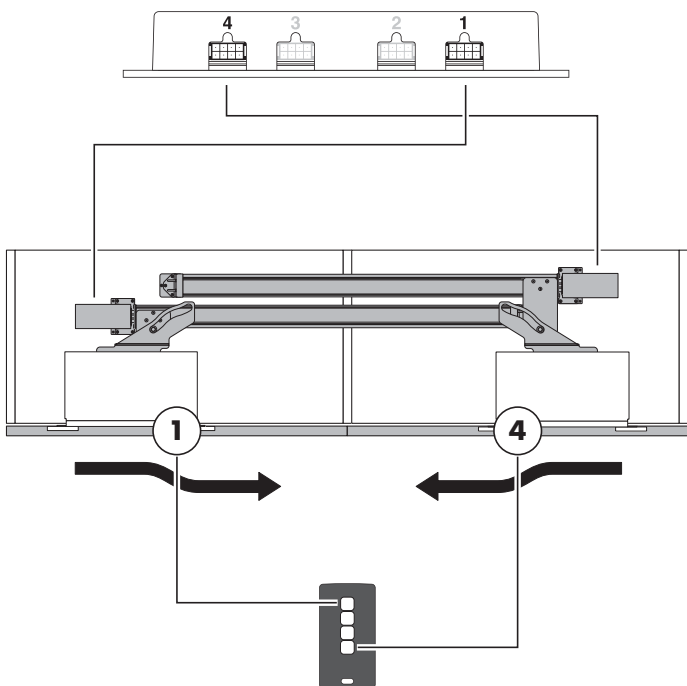
Wardrobe configurations with coplanar doors PS40.3

CONNECTIONS

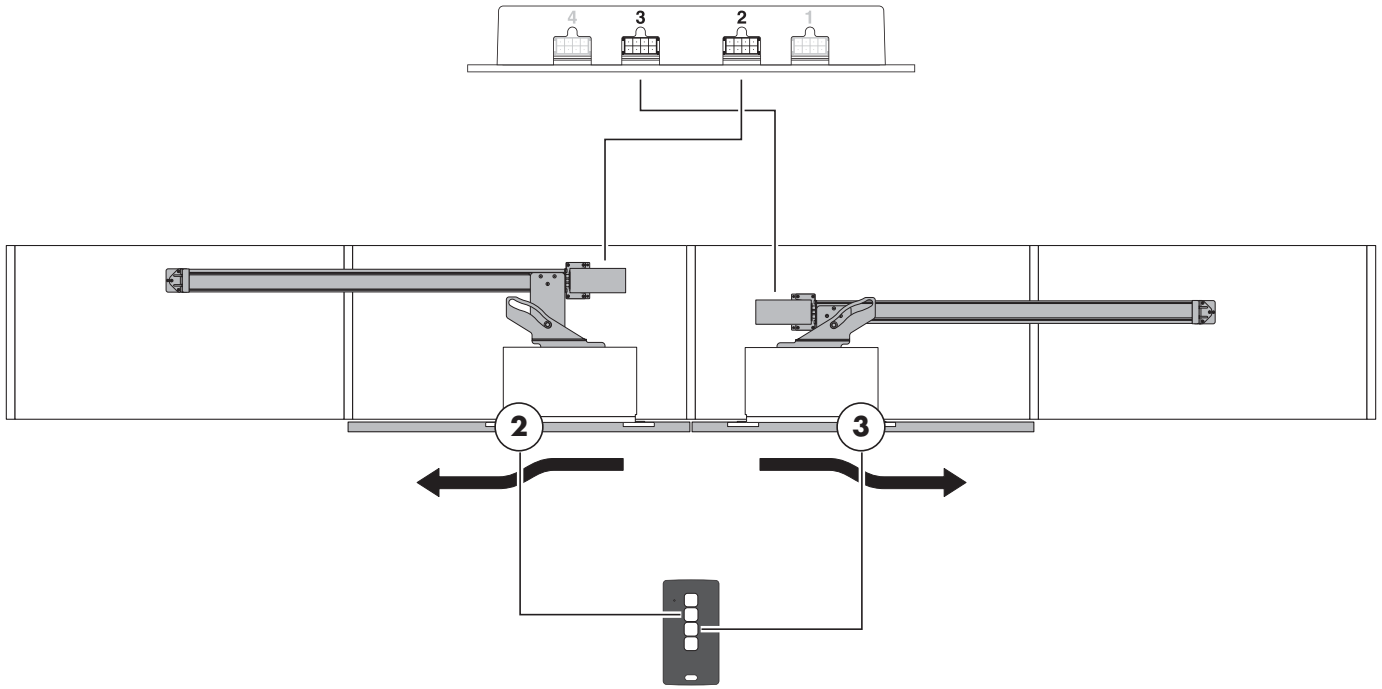
A



E



F

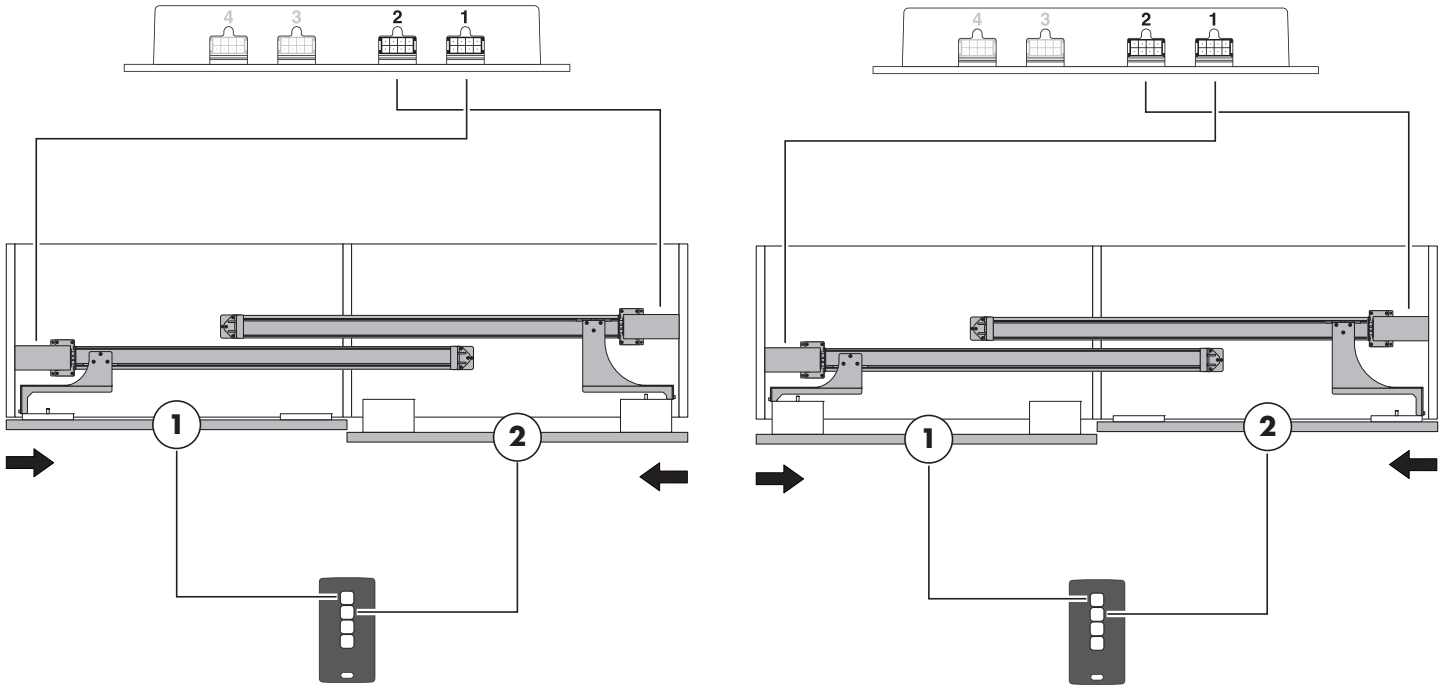




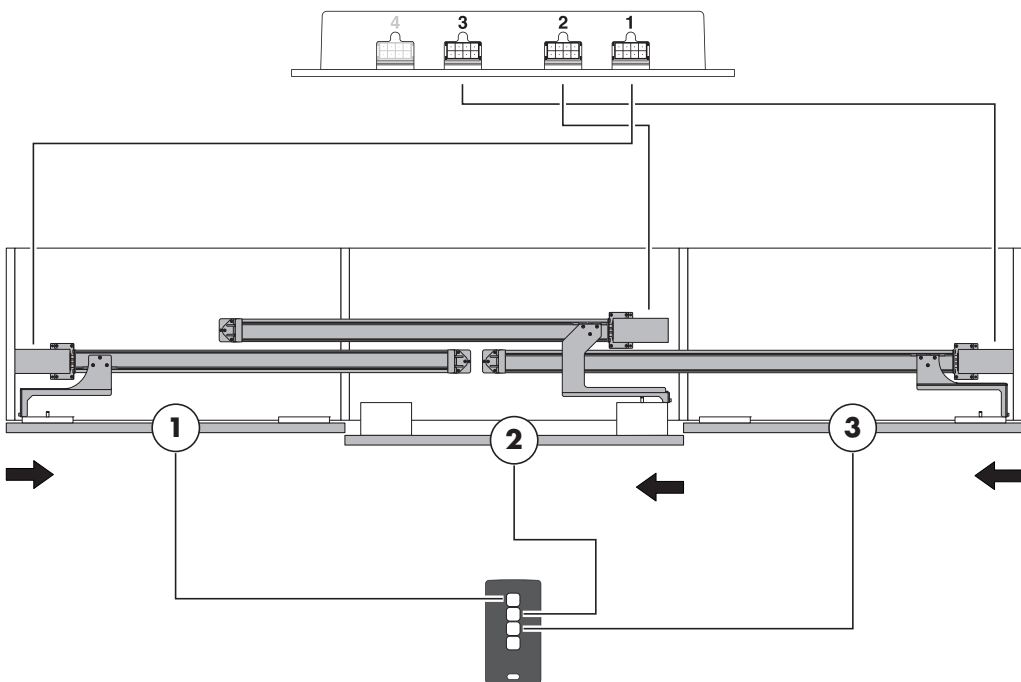
Wardrobe configurations with overlapping doors PS48.2

CONNECTIONS

B

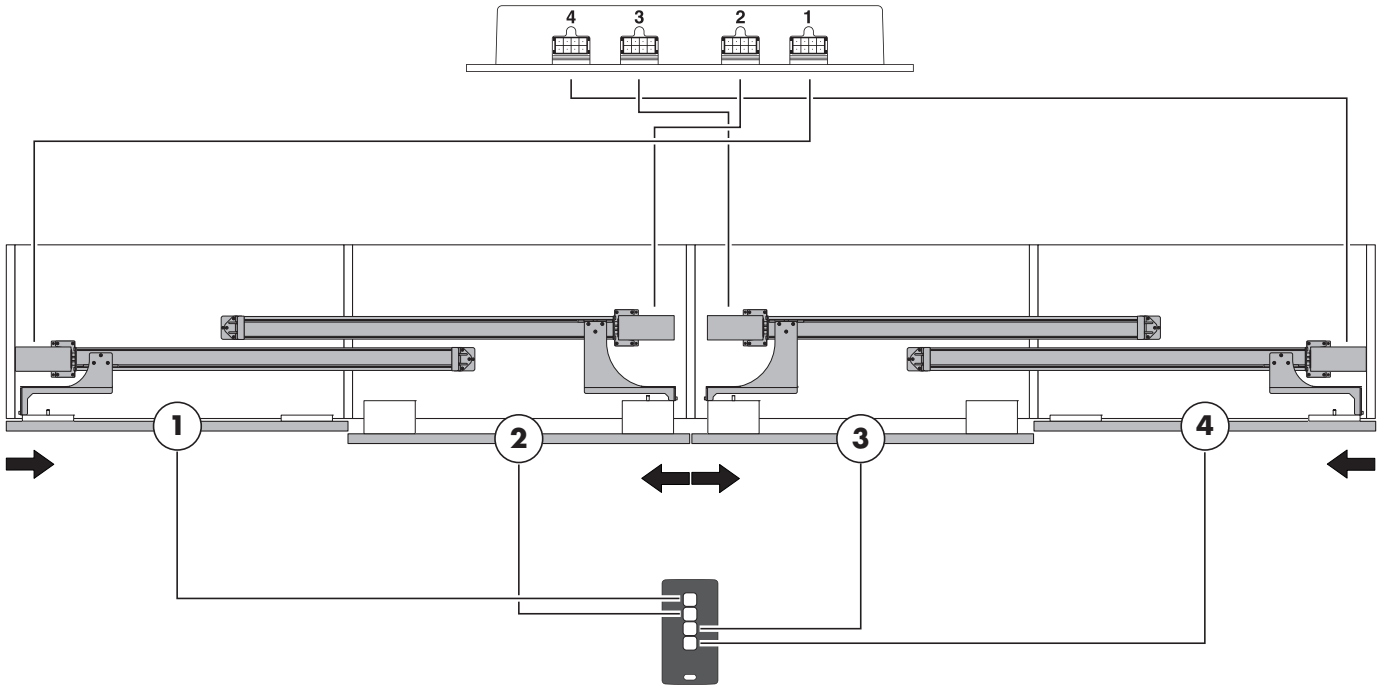


C



***Central door opening just to the left.**

D





Cinetto F.lli S.r.l.

Via Rossi, 5/A
35030 Rubano (PD) Italy
Tel. +39 049 8977211
Fax +39 049 635822
www.cinetto.it
info@cinetto.it

