

VIBO®

Wire processing

Montaggio Vaschette AVP10 armadio
Installation of Accessory Trays AVP10
Montage Contenants AVP10 armoire
Montaje Bandejas AVP10 armario
Montage der Plastikwannen AVP10 Schrank
Montering av Skåpskorgar AVP10
Montering af Bakkerne AVP10 i skab

AVP10

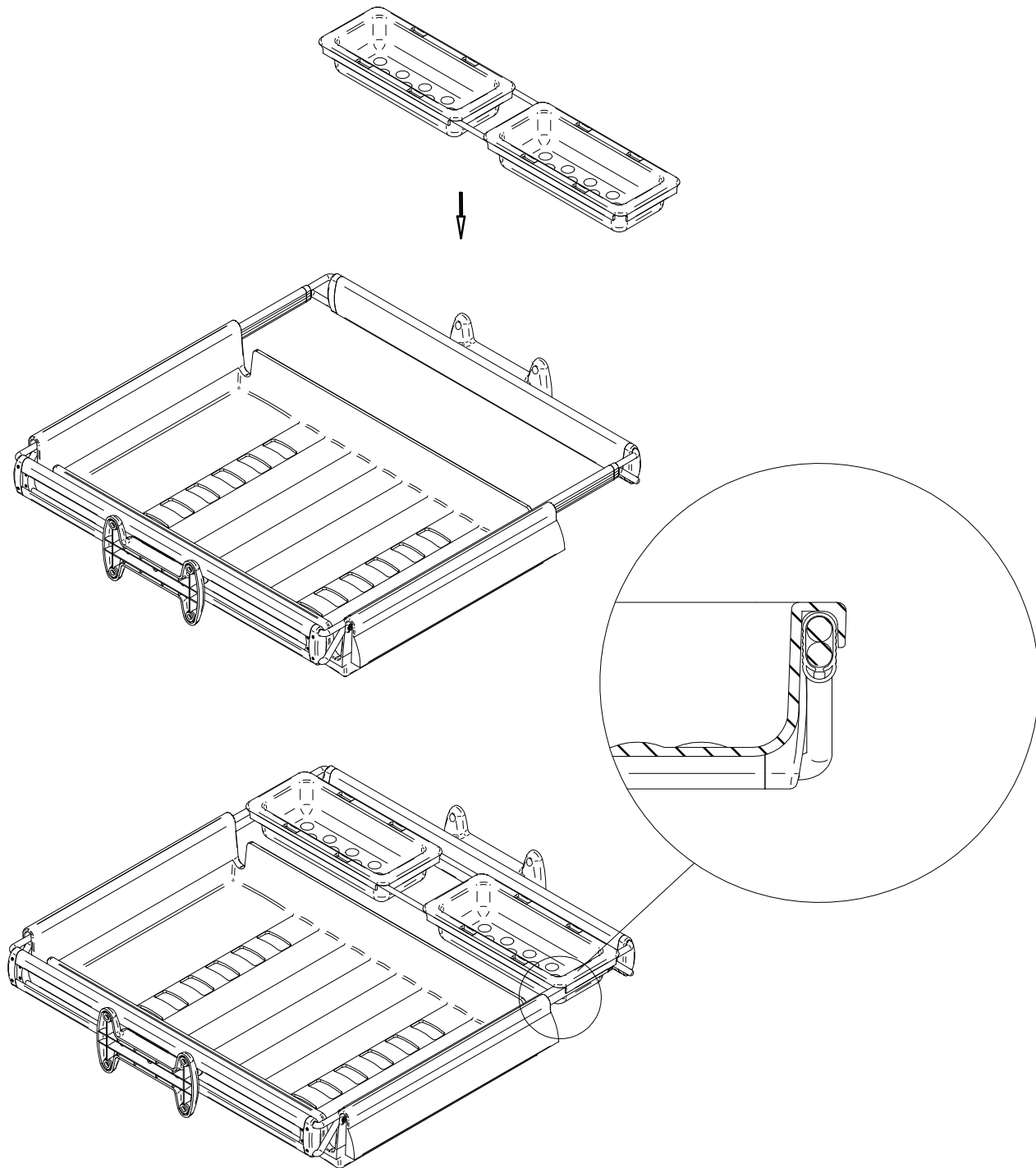


Via Arzignano
36070 Trissino (VI) Italia
Tel +39 0445 492800
Telefax +39 0445 492999

Web: <http://www.viboitaly.com>
E-mail vibo@viboitaly.com
ufftec@viboitaly.com

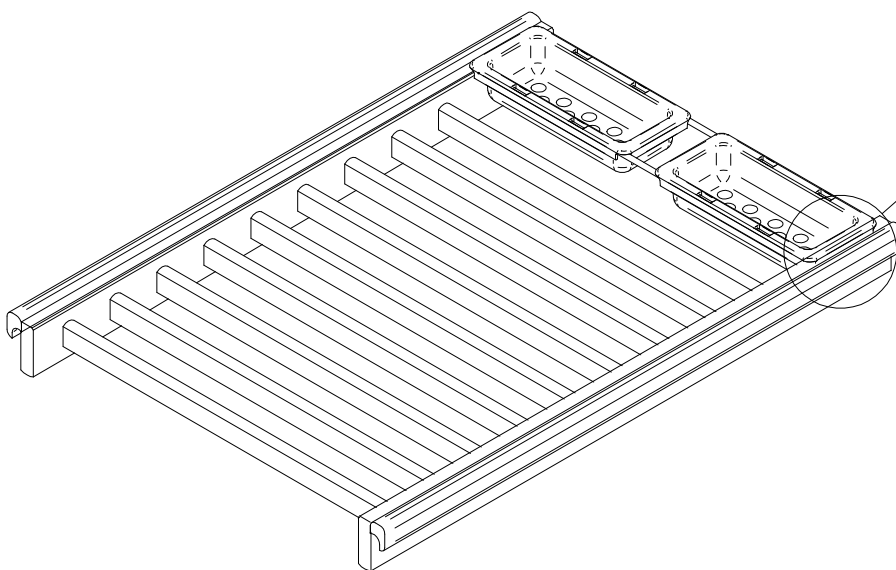
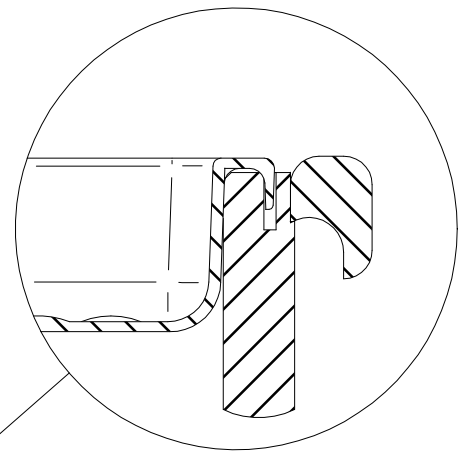
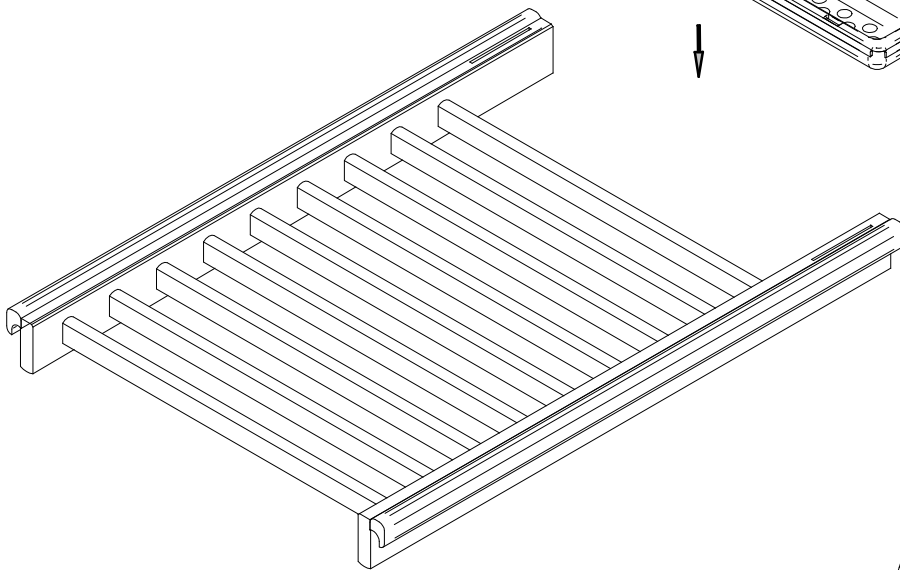
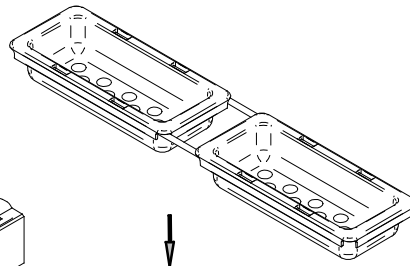


Montaggio Vaschette AVP10 armadio
Installation of Accessory Trays AVP10
Montage Contenants AVP10 armoire
Montaje Bandejas AVP10 armario
Montage der Plastikwannen AVP10 Schrank
Montering av Skåpskorgar AVP10
Montering af Bakkerne AVP10 i skab





Montaggio Vaschette AVP10 armadio
Installation of Accessory Trays AVP10
Montage Contenants AVP10 armoire
Montaje Bandejas AVP10 armario
Montage der Plastikwannen AVP10 Schrank
Montering av Skåpskorgar AVP10
Montering af Bakkerne AVP10 i skab



Note: _____

Via Arzignano
36070 Trissino (VI) Italia
Tel +39 0445 492800
Telefax +39 0445 492999

Web: <http://www.viboitaly.com>
E-mail vibo@viboitaly.com
ufftec@viboitaly.com